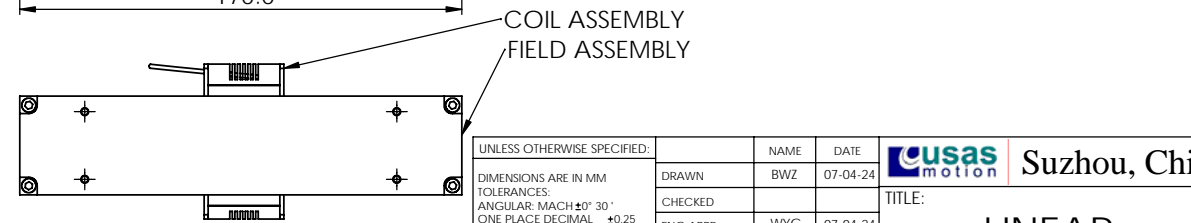
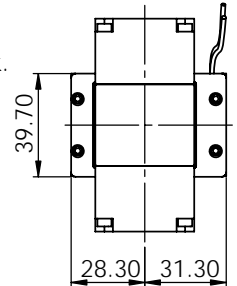
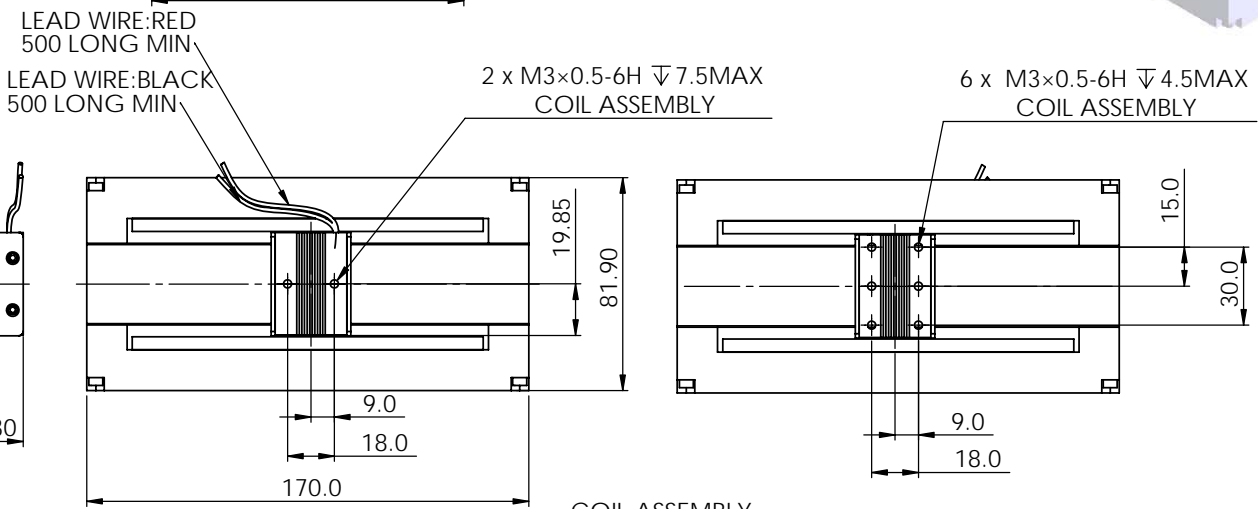
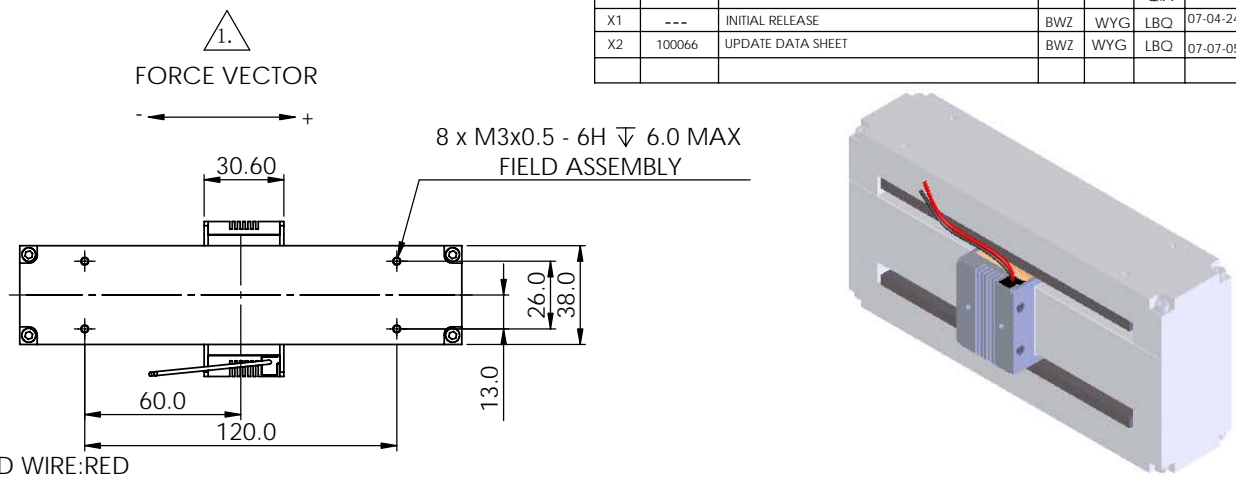


WINDING CONSTANT	TOL	SYM	VALUE	UNITS
DC RESISTANCE	± 10%	R	4.28	OHMS
VOLTAGE @ Fp	NOMINAL	Vp	28.7	VOLTS
CURRENT @ Fp	NOMINAL	Ip	6.7	AMPS
FORCE SENSITIVITY	± 7.5%	Kf	9.7	N / A
BACK EMF CONSTANT	NOMINAL	Kb	9.7	V/M/Sec
INDUCTANCE****	± 30%	L	3.45	mH
ACTUATOR PARAMETER		SYM	VALUE	UNITS
PEAK FORCE *		Fp	65	N
CONTINUOUS FORCE **		Fc	22.4	N
CONTINUOUS FORCE WITH HEAT SINK		Fc	29.17	N
ACTUATOR CONSTANT		Ka	4.69	N/A/W
ELECT TIME CONSTANT		Te	0.81	milli-sec
POWER I ² R@Fp		Pp	192	W
TOTAL STROKE		S	100	mm
CLEARANCE ON SIDE OF COIL		CL	0.5	mm
THERMAL RESISTANCE ***		Θth	5.5	C / W
THERMAL RESISTANCE WITH HEAT SINK****		Θth	3.23	C / W
MAX WINDING TEMP		Tmax	150	C
WEIGHT OF COIL ASSEMBLY		WTc	135	g
WEIGHT OF FIELD ASSEMBLY		WTF	3720	g
WEIGHT OF ACTUATOR		WTA	3855	g

* 10 sec @ 25C ambient, 150C coil temp.
 ** 25C ambient, 150C coil temp.
 *** In free air.
 **** Measured with 250x250x10mm heat sink.
 ***** Measured with BK PRECISION 875B.

REV	ECO NO.	DESCRIPTION	DRN	APP'D	Q.A	DATE
X1	---	INITIAL RELEASE	BWZ	WYG	LBO	07-04-24
X2	100066	UPDATE DATA SHEET	BWZ	WYG	LBO	07-07-05



UNLESS OTHERWISE SPECIFIED:		NAME	DATE	Suzhou, China LINEAR ACTUATOR TITLE: DWG. NO. VLS0065-1000-00A REV X2 SCALE: 1: 2 SHEET 1 OF 1
DIMENSIONS ARE IN MM		DRAWN	BWZ 07-04-24	
TOLERANCES:		CHECKED		
ANGULAR: MACH ±0° 30'		ENG APPR.	WYG 07-04-24	
ONE PLACE DECIMAL ±0.25		MFG APPR.		
TWO PLACE DECIMAL ±0.1		Q.A.	LBO 07-04-24	
PROPRIETARY AND CONFIDENTIAL THE INFORMATION CONTAINED IN THIS DRAWING IS THE SOLE PROPERTY OF USAS MOTION - SUZHOU, CHINA. ANY REPRODUCTION IN PART OR AS A WHOLE WITHOUT THE WRITTEN PERMISSION OF USAS MOTION - SUZHOU, CHINA IS PROHIBITED.		INTERPRET GEOMETRIC TOLERANCING PER: ANSI Y14.5M-1982.		COMMENTS:
		DO NOT SCALE DRAWING		

2. INSULATION RESISTANCE: 100 MEGOHMS MINIMUM AT 500 VDC.
 ▲ A POSITIVE (+) VOLTAGE APPLIED TO THE RED LEAD WILL PRODUCE A FORCE ON THE COIL ASSEMBLY IN POSITIVE (+) DIRECTION.
 NOTES: UNLESS OTHERWISE SPECIFIED